

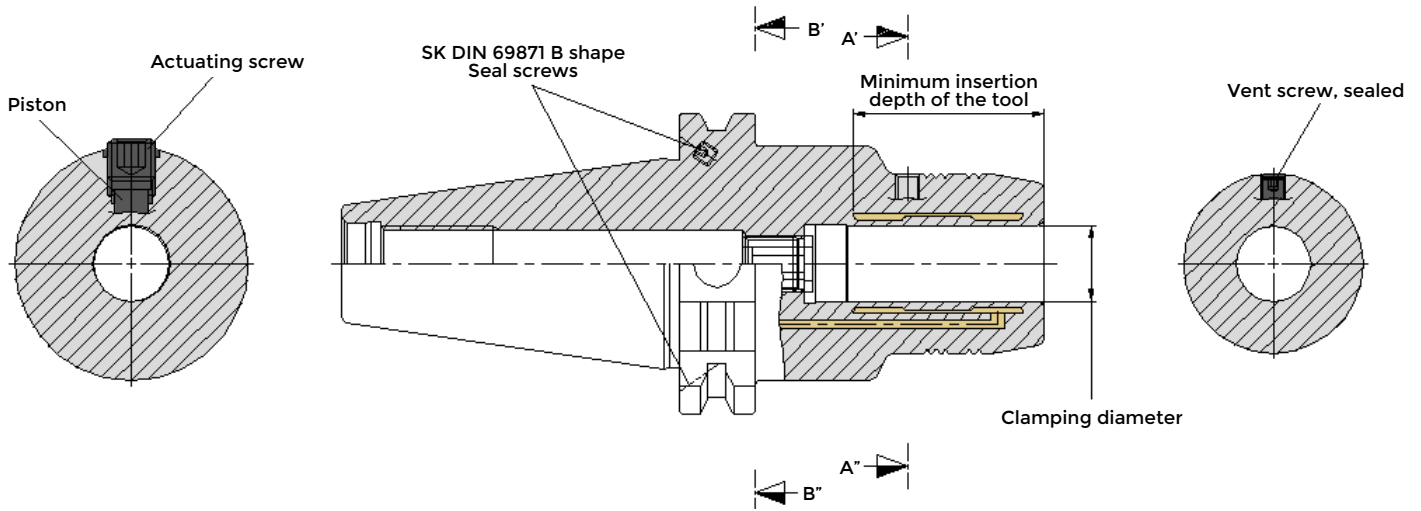


HYDRO-EXPANSION CHUCKS

FOR TOOLS WITH CYLYNDRICAL SHANK

OPERATING MANUAL FOR HIDRAULIC EXPANSION CHUCKS

SECTION B'-B''



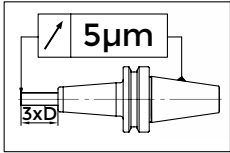
Please follow our operating instruction carefully to save time and avoid problems:

TECHNICAL INFORMATION TABLE

CHUCK DIAMETER (HC)	DEPENDENT ON THE MOUNTING SHANK (rpm)	MINIMUM CLAMPING LENGTH (mm)	OPERATING TEMPERATURE (°C)	MAX COOLANT PRESSURE (bar)	TORQUE (Nm)
HC6	40.000	27	20-50	80	8
HC8	40.000	27	20-50	80	15
HC10	40.000	32	20-50	80	30
HC12	40.000	37	20-50	80	45
HC14	40.000	37	20-50	80	75
HC16	40.000	42	20-50	80	120
HC18	40.000	42	20-50	80	170
HC20	40.000	42	20-50	80	230
HC25	25.000	48	20-50	80	300
HC32	25.000	55	20-50	80	400

- Insert tools with totally cylindrical shank only and with tolerance h6
- Do not directly insert Weldon or Whistle-Notch attachments but only with reduction sleeve
- Never clamp the hydraulic chuck loosely without inserting the tool first
- During the clamping phase, screw the clamping screw until the end stop
- If the chuck is subject to long periods of use, open and clamp again the mounted tool before reusing it

HYDRO-EXPANSION CHUCKS FOR TOOLS WITH CYLINDRICAL SHANK



H= 0 > 100 mm - 5 µm
H= 100 > 200 mm - 10 µm

MAS 403/BT AD

COD.	DESCRIPTION	ISO	D	d1	d2	d3	L	L1	L2 min	L2 max	V	M	TYPE	G2,5 20000
252-11467	BT30-HC3-70	30	3	45	24	21	70	30	-	24	-	-	A	•
252-11468	BT30-HC4-70	30	4	45	25	22	70	30	-	28	-	-	A	•
252-11470	BT30-HC6-70	30	6	45	28	25	70	28	27,5	37,5	10	M5x0,8	A	•
252-11471	BT30-HC8-70	30	8	45	30	27	70	28	27,5	37,5	10	M6x1	A	•
252-11472	BT30-HC10-75	30	10	45	32	29	75	38	32,5	42,5	10	M6x1	A	•
252-11473	BT30-HC12-75	30	12	45	34	31	75	36	37,5	47,5	10	M6x1	A	•
252-11474	BT30-HC14-85	30	14	45	36	33	85	44	37,5	47,5	10	M6x1	A	•
252-11419	BT30-HC16-90	30	16	45	38	35	90	48	42,5	52,5	10	M8x1	A	•
*252-11442	BT30-G20CS-85	30	20	-	44	40	85	63	42,5	52,5	10	M8x1	B	•
252-11421	BT30-HC20-90	30	20	-	43	40	90	68	42,5	52,5	10	M8x1	B	•
252-11422	BT40-HC6-90	40	6	50	28	25	90	44	27,5	37,5	10	M5x0,8	A	•
252-11423	BT40-HC8-90	40	8	50	30	27	90	39	27,5	37,5	10	M6x1	A	•
252-11424	BT40-HC10-90	40	10	50	32	29	90	44	32,5	42,5	10	M6x1	A	•
252-11425	BT40-HC12-90	40	12	50	34	31	90	44	37,5	47,5	10	M6x1	A	•
252-11426	BT40-HC14-90	40	14	50	36	33	90	44	37,5	47,5	10	M6x1	A	•
252-11427	BT40-HC16-90	40	16	50	38	35	90	48	42,5	52,5	10	M8x1	A	•
252-11428	BT40-HC18-90	40	18	50	41	38	90	48	42,5	52,5	10	M8x1	A	•
*252-11443	BT40-G20CS-72,5	40	20	-	49,5	40	72,5	45,5	42,5	52,5	10	M8x1	B	•
252-11429	BT40-HC20-90	40	20	50	43	40	90	48	42,5	52,5	10	M8x1	A	•
252-11482	BT40-HC20-140	40	20	50	43	40	140	48	42,5	52,5	10	M8x1	A	•
252-11483	BT40-HC25-100	40	25	-	57	53	100	73	51	61	10	M16x1	B	•
252-11485	BT40-HC32-105	40	32	-	63	58	105	-	55	65	10	M16x1	B	•
252-11433	BT50-HC8-90	50	8	50	30	27	90	32	27,5	37,5	10	M6x1	A	•
252-11434	BT50-HC10-90	50	10	50	32	29	90	32	32,5	42,5	10	M6x1	A	•
252-11435	BT50-HC12-90	50	12	50	34	31	90	32	37,5	47,5	10	M6x1	A	•
252-11436	BT50-HC14-90	50	14	50	36	33	90	32	37,5	47,5	10	M6x1	A	•
252-11437	BT50-HC16-90	50	16	50	38	35	90	32	42,5	52,5	10	M8x1	A	•
*252-11439	BT50-HC20-90	50	20	50	43	40	90	32	42,5	52,5	10	M8x1	A	•
252-11494	BT50-HC20-140	50	20	50	43	40	140	48	42,5	52,5	10	M8x1	A	•
252-11495	BT50-HC25-105	50	25	-	57	53	105	86	51	61	10	M16x1	A	•
252-11496	BT50-HC25-150	50	25	-	57	53	150	112	51	61	10	M16x1	B	•
252-11444	BT50-G32CS-90	50	32	-	72	60	90	52	55	65	10	M16x1	B	•
252-11497	BT50-HC32-115	50	32	-	63	58	115	77	55	65	10	M16x1	B	•

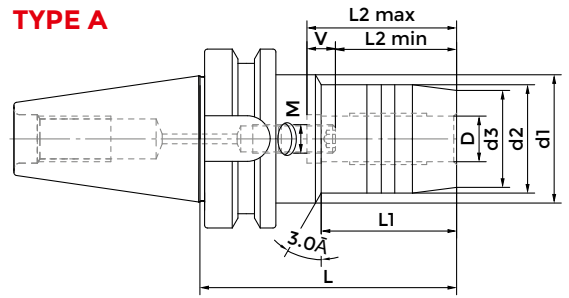
*Compact VERSION

ACCESSORIES

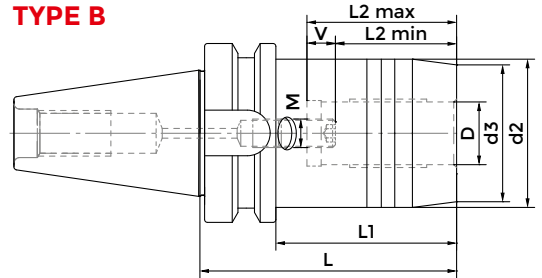
p. 185



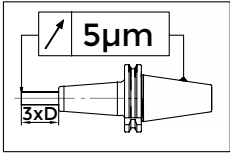
TYPE A



TYPE B



HYDRO-EXPANSION CHUCKS FOR TOOLS WITH CYLINDRICAL SHANK



H= 0 > 100 mm - 5 µm
H= 100 > 200 mm - 10 µm

DIN69871 AD

COD.	DESCRIPTION	ISO	D	d1	d2	d3	L	L1	L2 min	L2 max	V	M	TYPE	G2,5 20000
252-11305	TC40-HC6-80,5	40	6	50	28	25	80,5	44	27,5	37,5	10	M5x0,8	A	•
252-11307	TC40-HC8-80,5	40	8	50	30	27	80,5	44	27,5	37,5	10	M6x1	A	•
252-11308	TC40-HC8-110	40	8	50	30	27	110	44	27,5	37,5	10	M6x1	A	•
252-11309	TC40-HC10-80,5	40	10	50	32	29	80,5	44	32,5	42,5	10	M6x1	A	•
252-11310	TC40-HC10-110	40	10	50	32	29	110	44	32,5	42,5	10	M6x1	A	•
252-11311	TC40-HC12-80,5	40	12	50	34	31	80,5	44	37,5	47,5	10	M6x1	A	•
252-11312	TC40-HC12-110	40	12	50	34	31	110	44	37,5	47,5	10	M6x1	A	•
252-11327	TC40-HC14-80,5	40	14	50	36	33	80,5	44	37,5	47,5	10	M6x1	A	•
252-11313	TC40-HC16-80,5	40	16	50	38	35	80,5	48	42,5	52,5	10	M8x1	A	•
252-11314	TC40-HC16-110	40	16	50	38	35	110	48	42,5	52,5	10	M8x1	A	•
252-11328	TC40-HC18-80,5	40	18	50	41	38	80,5	30	42,5	52,5	10	M8x1	A	•
*252-11325	TC40-G20CS-64,5	40	20	-	49,5	40	64,5	45,5	42,5	52,5	10	M8x1	A	•
5150	TC40-G20CS-64,5 AD+B	40	20	-	49,5	40	64,5	45,5	42,5	52,5	10	M8x1	A	•
252-11315	TC40-HC20-80,5	40	20	50	43	40	80,5	48	42,5	52,5	10	M8x1	A	•
252-11316	TC40-HC20-110	40	20	50	43	40	110	48	42,5	52,5	10	M8x1	A	•
252-11317	TC40-HC25-80,5	40	25	66	57	53	80,5	26	51	61	10	M16x1	B	•
252-11318	TC40-HC32-80,5	40	32	80	63	60	80,5	26	55	65	10	M16x1	B	•
252-11348	TC50-HC6-90	50	6	50	28	25	90	44	27,5	37,5	10	M5x0,8	A	•
252-11350	TC50-HC8-90	50	8	50	30	27	90	44	27,5	37,5	10	M6x1	A	•
252-11352	TC50-HC10-90	50	10	50	32	29	90	44	32,5	42,5	10	M6x1	A	•
252-11354	TC50-HC12-90	50	12	50	34	31	90	44	37,5	47,5	10	M6x1	A	•
252-11356	TC50-HC14-90	50	14	50	36	33	90	47	37,5	47,5	10	M6x1	A	•
252-11358	TC50-HC16-90	50	16	50	38	35	90	48	42,5	52,5	10	M8x1	A	•
252-11360	TC50-HC18-90	50	18	50	41	38	90	48	42,5	52,5	10	M8x1	A	•
252-11362	TC50-HC20-90	50	20	50	43	40	90	48	42,5	52,5	10	M8x1	A	•
252-11363	TC50-HC20-140	50	20	50	43	40	140	48	42,5	52,5	10	M8x1	A	•
252-11364	TC50-HC25-105	50	25	-	57	53	105	86	51	61	10	M16x1	B	•
*252-11326	TC50-G32CS-81	50	32	-	72	60	81	62	55	65	10	M16x1	B	•
252-11366	TC50-HC32-115	50	32	-	63	58	115	96	55	65	10	M16x1	B	•
252-11367	TC50-HC32-140	50	32	-	63	58	140	121	55	65	10	M16x1	B	•

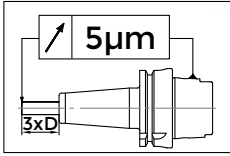
*Compact VERSION

ACCESSORIES

p. 185

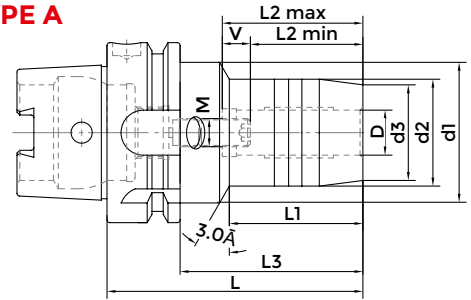


HYDRO-EXPANSION CHUCKS FOR TOOLS WITH CYLINDRICAL SHANK

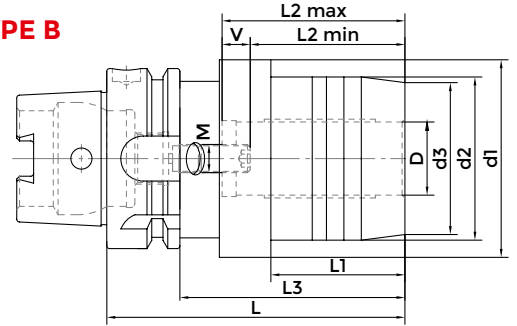


H = 0 > 100 mm - 5 µm
H = 100 > 200 mm - 10 µm

TYPE A



TYPE B



DIN69893 A

COD.	DESCRIPTION	HSK	D	d1	d2	d3	L	L1	L3	L2 min	L2 max	V	M	TYPE	G2,5 20000
252-11759	HSK50A-HC6-70	50	6	40	28	25	70	28	44	27,5	37,5	10	M5x0,8	A	•
252-11760	HSK50A-HC8-70	50	8	40	30	27	70	28	44	27,5	37,5	10	M6x1	A	•
252-11761	HSK50A-HC10-80	50	10	40	32	29	80	34	54	32,5	42,5	10	M6x1	A	•
252-11762	HSK50A-HC12-85	50	12	40	34	31	85	44	59	37,5	47,5	10	M6x1	A	•
252-11766	HSK50A-HC20-90	50	20	-	42	40	90	-	64	42,5	52,5	10	M6x1	A	•
252-11737	HSK63A-HC6-70	63	6	50	28	25	70	24	44	27,5	37,5	10	M5x0,8	A	•
252-11738	HSK63A-HC8-70	63	8	50	30	27	70	24	44	27,5	37,5	10	M6x1	A	•
252-11739	HSK63A-HC10-80	63	10	50	32	29	80	35	54	32,5	42,5	10	M6x1	A	•
252-11740	HSK63A-HC12-85	63	12	50	34	31	85	40	59	37,5	47,5	10	M6x1	A	•
252-11741	HSK63A-HC14-85	63	14	50	36	33	85	40	59	37,5	47,5	10	M6x1	A	•
252-11742	HSK63A-HC16-90	63	16	50	38	35	90	46	64	42,5	52,5	10	M8x1	A	•
*252-11744	HSK63A-HC20-90	63	20	50	43	40	90	48	64	42,5	52,5	10	M8x1	A	•
252-21718	HSK63A-HC20-150	63	20	50	43	40	150	108	124	42,5	52,5	10	M8x1	-	•
252-21719	HSK63A-HC20-200	63	20	50	43	40	200	108	174	42,5	52,5	10	M8x1	-	•
252-11745	HSK63A-HC25-120	63	25	63	57	53	120	59	94	51	61	10	M16x1	B	•
252-11746	HSK63A-HC32-125	63	32	75	63	58	125	63	99	55	65	10	M16x1	B	•
252-11767	HSK100A-HC6-75	100	6	54	28	25	75	26	46	27,5	37,5	10	M5x0,8	A	•
252-11768	HSK100A-HC8-75	100	8	54	30	27	75	26	46	27,5	37,5	10	M6x1	A	•
252-11769	HSK100A-HC10-90	100	10	50	32	29	90	42	61	32,5	42,5	10	M6x1	A	•
252-11770	HSK100A-HC12-95	100	12	50	34	31	95	47	66	37,5	47,5	10	M6x1	A	•
252-11772	HSK100A-HC16-100	100	16	50	38	35	100	53	71	42,5	52,5	10	M8x1	A	•
252-11774	HSK100A-HC20-105	100	20	50	43	40	105	59	76	42,5	52,5	10	M8x1	A	•
252-11775	HSK100A-HC25-110	100	25	63	57	53	110	62	81	51	61	10	M8x1	A	•
252-11776	HSK100A-HC32-110	100	32	75	63	58	110	62	81	55	65	10	M8x1	A	•

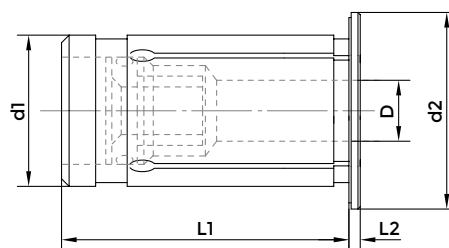
*Compact VERSION

ACCESSORIES

p. 185



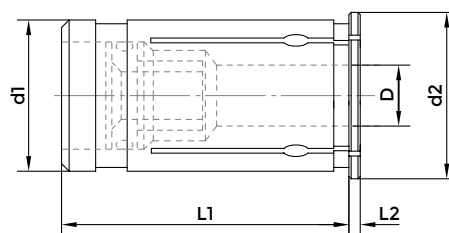
SEALED CYLINDRICAL COLLETS



TYPE	d1	d2	L1	L2	D nole size
0520	12	16,5	45	2	2,5;3;4;5;6;7;8;*9;*10
0521	20	24	50,5	2	3;4;5;6;7;8;9;10;11;12;13;14;15;16;*17;*18
0676	25	29	54,5	2	6;7;8;9;10;10;11;12;13;14;15;16;17;18;19;20;*21;*22
0522	32	35,5	60,5	2	4;5;6;7;8;9;10;11;12;13;14;15;16;17;18;19;20;21;22;23;24;25;*26;*27;*28

* OVERSIZE diameters - for the construction characteristics, do not use of high pressure

COLLETS FOR HYDRAULIC CHUCKS



TYPE	d1	d2	L1	L2	D nole size
GX12D...	12	16	44,5	2	3;4;5;6;8;
GX20D...	20	24	50,5	2	3;4;5;6;8;10;12;14;16
GX32D...	32	36	60,5	3	6;8;10;12;14;16;18;20;25

HYDRAULIC KIT

COD.	COMPOSITION
KIT BT30 G20	N°1 BT30 H85 G20-WO + n°5 collets GX20: Ø6,8,10,12,16
KIT BT40 G20	N°1 BT40 H72,5 G20-WO + n°5 collets GX20: Ø6,8,10,12,16
KIT BT40 G32	N°1 BT40 H105 G32-WO + n°7 collets GX32: Ø10,12,14,16,18,20,25
KIT TC40 G20	N°1 TC40 H64,5 G20-WO + n°5 collets GX20: Ø6,8,10,12,16
KIT TC40 G32	N°1 TC40 H80,5 G32-WO + n°7 collets GX32: Ø10,12,14,16,18,20,25
KIT BT50 G20	N°1 BT50 H90 G20-WO + n°5 collets GX20: Ø6,8,10,12,16
KIT BT50 G32	N°1 BT50 H90 G32-WO + n°7 collets GX32: Ø10,12,14,16,18,20,25
KIT TC50 G20	N°1 TC50 H90 G20-WO + n°5 collets GX20: Ø6,8,10,12,16
KIT TC50 G32	N°1 TC50 H81 G32-WO + n°7 collets GX32: Ø10,12,14,16,18,20,25
KIT HSK63A G20	N°1 HSK63A H90 G20 + n°5 collets GX20: Ø6,8,10,12,16
KIT HSK63A G32	N°1 HSK63A H125 G32 + n°7 collets GX32: Ø10,12,14,16,18,20,25
KIT HSK100 G20	N°1 HSK100 H105 G20 + n°5 collets GX20: Ø6,8,10,12,16
KIT HSK100 G32	N°1 HSK100 H110 G32 + n°7 collets GX32: Ø10,12,14,16,18,20,25

Kit Box:

- 1 hydraulic chuck
- 1 collets kit
- 1 wrench



HYDRO POWER LINE



A NEW HYDRAULIC CHUCK TECHNOLOGY FOR HIGH PRECISION AND EXCELLENT MACHINING QUALITY

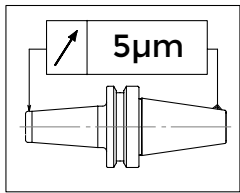
Thanks to a modern mixture of conventional steel body and sintered-processed material, we introduce you to the new **HYDRO POWER LINE** of chucks.

Main advantages:

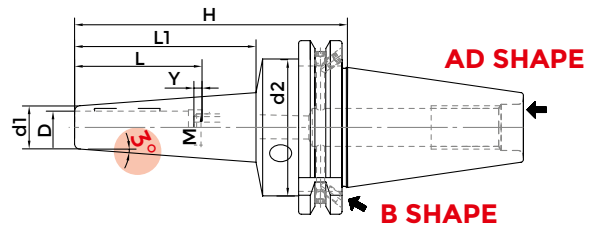
- Thermal performances till 120 ° C and the clamping force increases under the influence of temperature.
- Suitable solution for Drilling, Reaming and also Milling!

- Ideal for machining in contour-critical areas, slim 3° version as for shrink
- High torque transmission
- Long tool life and easy tool change
- Exceptional radial runout <math><3\mu</math>
- No investment for additional equipment , no risk of burning for operator or damaging the holder because of wrong cooling.

HYDRO-EXPANSION CHUCKS FOR TOOLS WITH CYLINDRICAL SHANK



H= 0 > 100 mm - 5 µm
H= 100 > 200 mm - 10 µm

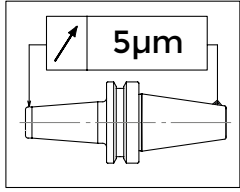


DIN69871

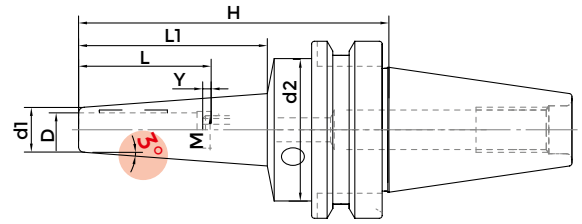
3° PROGRAMME HYDRO SLIM LINE

COD.	DESCRIPTION	ISO	D	H	L	Y max	d1	d2	L1	M	SW	G2,5 25000
252-11368	TC40H120D03-HPL	40	3	120	28	16	9	49,5	80	M2,5	1,3	•
252-11369	TC40H120D04-HPL	40	4	120	28	12	10	49,5	80	M2,5	1,3	•
252-11371	TC40H120D06-HPL	40	6	120	37	10	12	49,5	80	M5	2,5	•
252-11379	TC40H160D06-HPL	40	6	160	37	10	16	49,5	119	M5	2,5	•
252-11380	TC40H200D06-HPL	40	6	200	37	10	16	49,5	161	M5	2,5	•
252-11372	TC40H120D08-HPL	40	8	120	37	10	14	49,5	80	M6	3	•
252-11381	TC40H160D08-HPL	40	8	160	37	10	18	49,5	120	M6	3	•
252-11373	TC40H120D10-HPL	40	10	120	41	10	16	49,5	81	M8x1	3	•
252-11383	TC40H160D10-HPL	40	10	160	41	10	20	49,5	121	M8x1	3	•
252-11374	TC40H120D12-HPL	40	12	120	46	10	18	49,5	82	M10x1	5	•
252-11385	TC40H160D12-HPL	40	12	160	46	10	22	49,5	122	M10x1	5	•
252-11376	TC40H120D16-HPL	40	16	120	49	10	24	49,5	79	M12x1	5	•

HYDRO-EXPANSION CHUCKS FOR TOOLS WITH CYLINDRICAL SHANK



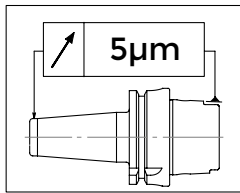
H = 0 > 100 mm - 5 µm
H = 100 > 200 mm - 10 µm



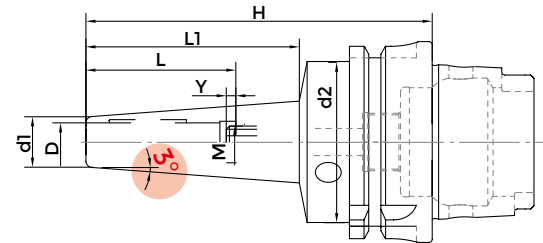
MAS BT

3° PROGRAMME HYDRO SLIM LINE

COD.	DESCRIPTION	ISO	D	H	L	Y max	d1	d2	L1	M	SW	G2,5 25000
252-21401	BT40H120D03-HPL	40	3	120	28	16	9	49,5	72	M2,5	1,3	•
252-21402	BT40H120D04-HPL	40	4	120	28	12	10	49,5	72	M2,5	1,3	•
252-21404	BT40H120D06-HPL	40	6	120	37	10	12	49,5	72	M5	2,5	•
252-21412	BT40H160D06-HPL	40	6	160	37	10	16	49,5	111	M5	2,5	•
252-21405	BT40H120D08-HPL	40	8	120	37	10	14	49,5	72	M6	3	•
252-21406	BT40H120D10-HPL	40	10	120	41	10	16	49,5	73	M8x1	3	•
252-21407	BT40H120D12-HPL	40	12	120	46	10	18	49,5	74	M10x1	5	•
252-21411	BT40H120D20-HPL	40	20	120	51	10	28	49,5	72	M16x1	5	•



H = 0 > 100 mm - 5 µm
H = 100 > 200 mm - 10 µm

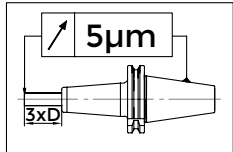


DIN69893A

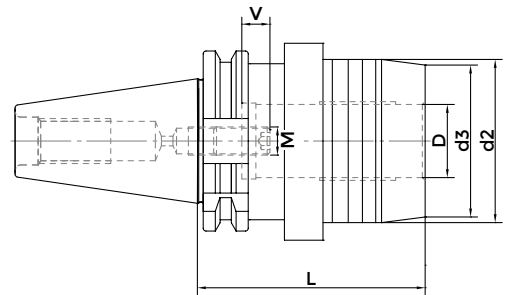
3° PROGRAMME HYDRO SLIM LINE

COD.	DESCRIPTION	HSK	D	H	L	Y max	d1	d2	L1	M	SW	G2,5 25000
252-21720	HSK63AH120D03-HPL	63	3	120	28	16	9	50	73	M2,5	1,3	•
252-21721	HSK63AH120D04-HPL	63	4	120	28	12	10	50	73	M2,5	1,3	•
252-21723	HSK63AH120D06-HPL	63	6	120	37	10	12	50	73	M5	2,5	•
252-21738	HSK63AH160D06-HPL	63	6	160	37	10	16	50	111	M5	2,5	•
252-21724	HSK63AH120D08-HPL	63	8	120	37	10	14	50	74	M6	3	•
252-21754	HSK63AH160D08-HPL	63	8	160	37	10	18	50	111	M6	3	•
252-21725	HSK63AH120D10-HPL	63	10	120	41	10	16	50	74	M8x1	3	•
252-21757	HSK63AH160D10-HPL	63	10	160	41	10	20	50	113	M8x1	3	•
252-21726	HSK63AH120D12-HPL	63	12	120	46	10	18	50	75	M10x1	5	•
252-21760	HSK63AH160D12-HPL	63	12	160	46	10	22	50	113	M10x1	5	•
252-21727	HSK63AH120D14-HPL	63	14	120	46	10	22	50	71	M10x1	5	•
252-21728	HSK63AH120D16-HPL	63	16	120	49	10	24	50	72	M12x1	5	•
252-21729	HSK63AH120D18-HPL	63	18	120	49	10	26	50	72	M12x1	5	•
252-21730	HSK63AH120D20-HPL	63	20	120	51	10	28	50	72	M16x1	5	•

HYDRO-EXPANSION CHUCKS FOR TOOLS WITH CYLINDRICAL SHANK HIGH CLAMPING FORCE

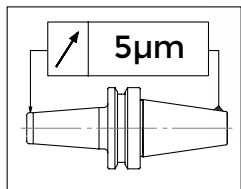


H= 0 > 100 mm - 5 µm

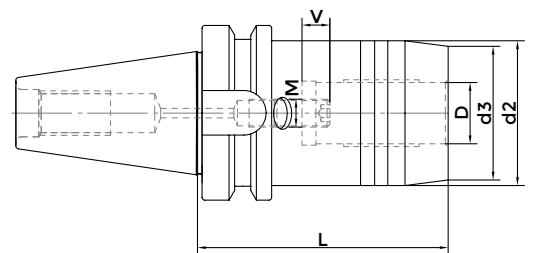


DIN 69871

COD.	DESCRIPTION	ISO	D	d2	d3	L	V	M	G2.5 25000
252-11388	TC40-HC12-50 EHG	40	12	42	32	50	10	M8X1	•
252-11389	TC40-HC20-64,5 EHG	40	20	49,3	39,3	64,5	10	M8X1	•
252-11390	TC50-HC20-64,5 EHG	50	20	43,3	39,3	64,5	10	M8X1	•
252-11391	TC50-HC32-81 EHG	50	32	72	58,5	81	10	M8X1	•



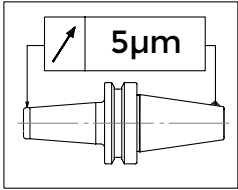
H= 0 > 100 mm - 5 µm



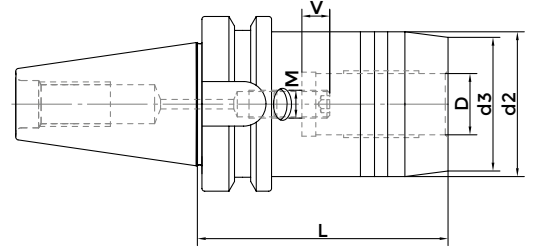
MAS 403/BT - JIS-B 6339

COD.	DESCRIPTION	ISO	D	d2	d3	L	V	M	G2.5 25000
252-17101	BT30-HC12-69 EHG DK	30	12	42	32	69	10	M8X1	•
252-17102	BT30-HC20-90 EHG DK	30	20	42	38	90	10	M8X1	•
252-17103	BT40-HC12-58 EHG DK	40	12	42	32	58	10	M8X1	•
252-17104	BT40-HC20-72,5 EHG DK	40	20	49,3	38	72,5	10	M8X1	•

HYDRO-EXPANSION CHUCKS FOR TOOLS WITH CYLINDRICAL SHANK HIGH CLAMPING FORCE

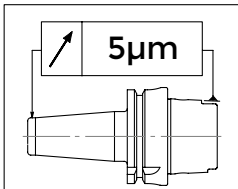


H= 0 > 100 mm - 5 µm

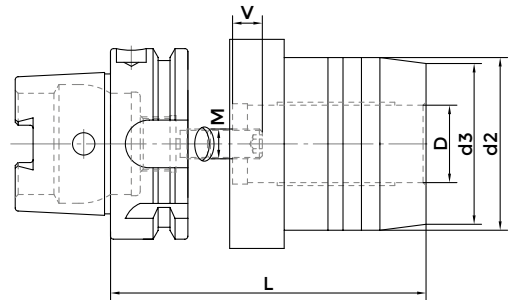


MAS 403/BT

COD.	DESCRIPTION	ISO	D	d2	d3	L	V	M	G2.5 25000
252-11538	BT30-HC12-69 EHG	30	12	42	32	69	10	M8X1	•
252-11539	BT30-HC20-90 EHG	30	20	42	38	90	10	M8X1	•
252-21420	BT40-HC12-58 EHG AD+B	40	12	42	32	58	10	M8X1	•
252-21421	BT40-HC20-72,5 EHG AD+B	40	20	49,3	39,3	72,5	10	M8X1	•
252-21423	BT50-HC20-83,5 EHG AD+B	50	20	49,3	39,3	83,5	10	M8X1	•
252-21422	BT50-HC32-90 EHG AD+B	50	32	72	58,5	90	10	M8X1	•



H= 0 > 100 mm - 5 µm



DIN 69893 A+C

COD.	DESCRIPTION	ISO	D	d2	d3	L	V	M	G2.5 25000
252-21797	HSK63A-HC12-80 EHG	63	12	42	32	80	10	M8X1	•
252-21798	HSK63A-HC20-80 EHG	63	20	52,5	38	80	10	M8X1	•
252-21799	HSK100A-HC20-90 EHG	100	20	52,5	38	90	10	M8X1	•
252-31701	HSK100A-HC32-100 EHG	100	32	72	58,5	100	10	M8X1	•