

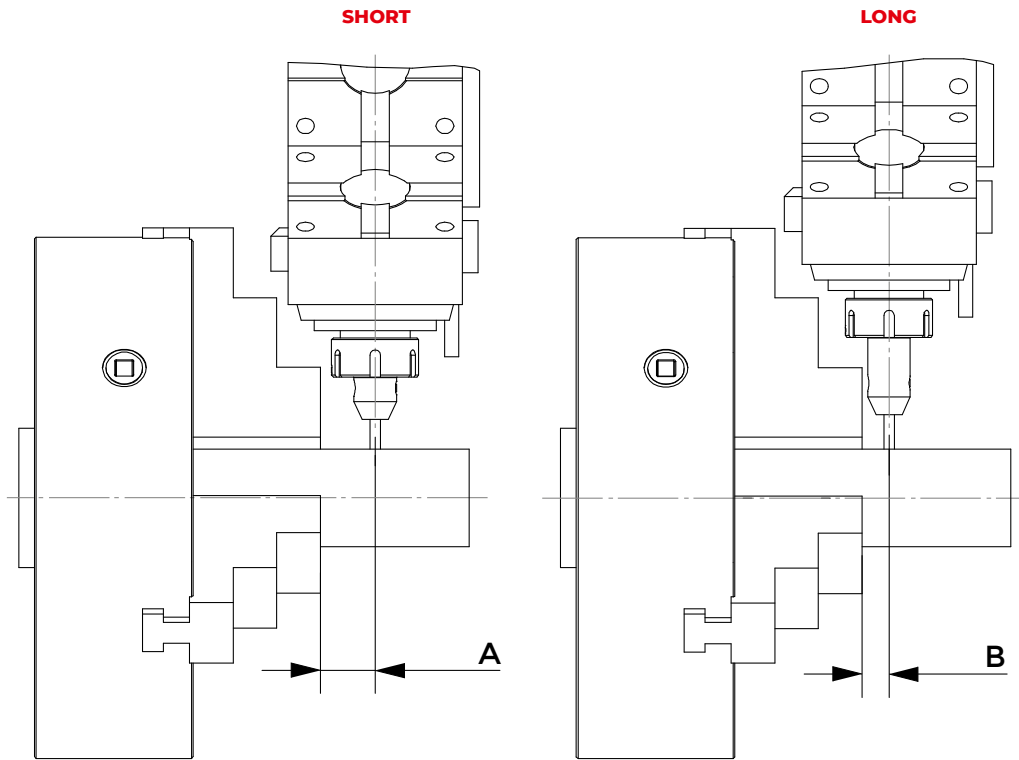


DRIVEN TOOLS

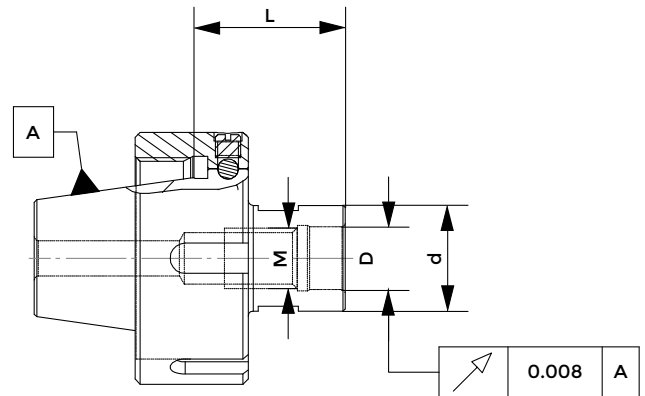
FAST IN



**TOOLHOLDERS WITH SHANK
ER25-ER32 - SHORT- LONG**



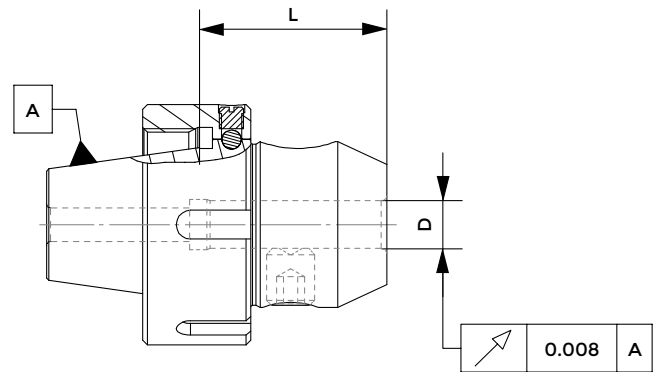
END MILL HOLDERS FOR MILLING CUTTERS WITH THREADED SHANKS



SHORT

COD.	DESCRIPTION	M	D	d	L
217-86705	ER25H35M08	M8	8,5	13	35
217-86707	ER25H30M12	M12	12,5	21	30
217-86708	ER25H25M16	M16	17	29	25
217-86701	ER32H35M08	M8	8,5	13	35
217-86702	ER32H35M10	M10	10,5	18	35
217-86703	ER32H30M12	M12	12,5	21	30
217-86704	ER32H25M16	M16	17	29	25

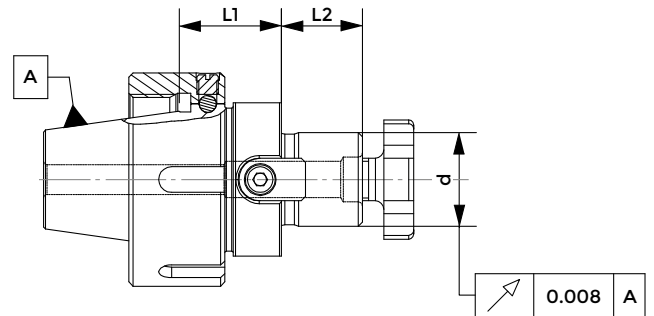
HOLDERS FOR WELDON TYPE END MILL



SHORT

COD.	DESCRIPTION	D	L
213-16707	ER25H35WE06	6	35
213-16708	ER25H35WE08	8	35
213-16709	ER25H39WE10	10	39
213-16710	ER25H43WE12	12	43
213-16701	ER32H35WE06	6	35
213-16702	ER32H35WE08	8	35
213-16703	ER32H39WE10	10	39
213-16704	ER32H43WE12	12	43
213-16705	ER32H43WE14	14	43
213-16706	ER32H45WE16	16	45

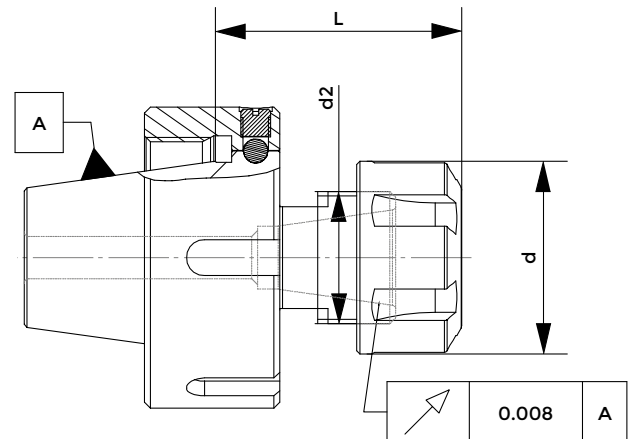
FACE MILL HOLDERS-TENONS DRIVE



SHORT

COD.	DESCRIPTION	d	L1	L2
216-76704	ER25H22D16	16	22	17
216-76705	ER25H24D22	22	24	19
216-76701	ER32H22D16	16	22	17
216-76702	ER32H24D22	22	24	19
216-76703	ER32H26D27	27	26	21

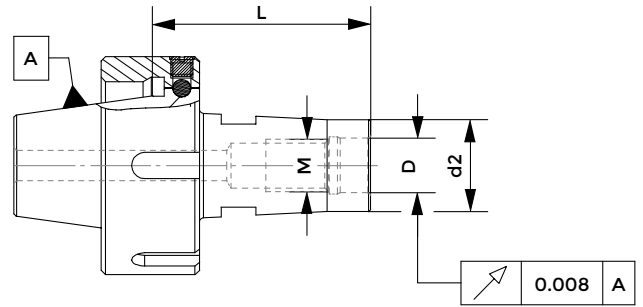
ER COLLET CHUCK



SHORT

COD.	DESCRIPTION	ER	d	d2	L
214-36701	ER25H41ER16	16	32	22	41
214-36702	ER25H43ER20	20	35	25	43
214-36703	ER25H45ER25	25	42	32	45
214-36704	ER32H41ER16	16	32	22	41
214-36705	ER32H43ER20	20	35	25	43
214-36706	ER32H45ER25	25	42	32	45
214-36707	ER32H48ER32	32	50	40	48

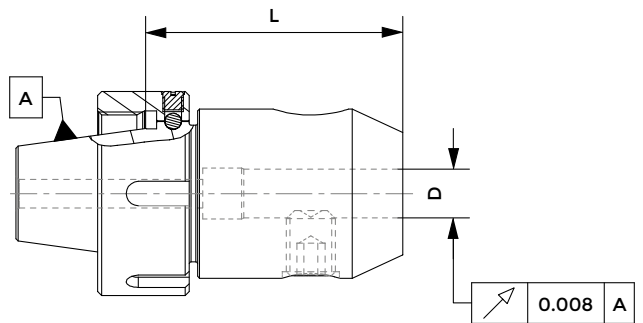
END MILL HOLDERS FOR MILLING CUTTERS WITH THREADED SHANKS



LONG

COD.	DESCRIPTION	M	D	d2	L
217-86713	ER32H55M08	M8	8,5	13	55
217-86714	ER32H55M10	M10	10,5	18	55
217-86715	ER32H50M12	M12	12,5	21	50
217-86716	ER32H45M16	M16	17	29	45

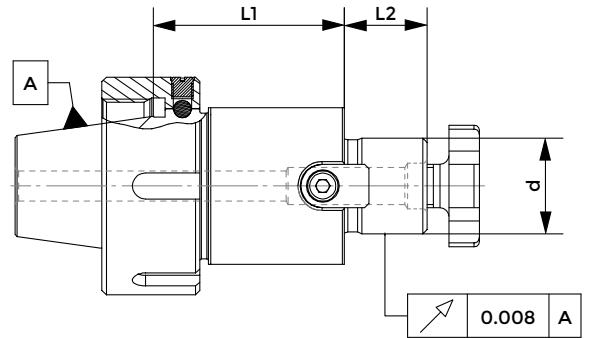
HOLDERS FOR WELDON TYPE END MILL



LONG

COD.	DESCRIPTION	D	L
213-16711	ER25H55WE06	6	55
213-16712	ER25H55WE08	8	55
213-16713	ER25H59WE10	10	59
213-16714	ER25H63WE12	12	63
213-16715	ER32H55WE06	6	55
213-16716	ER32H55WE08	8	55
213-16717	ER32H59WE10	10	59
213-16718	ER32H63WE12	12	63
213-16719	ER32H63WE14	14	63
213-16720	ER32H65WE16	16	65

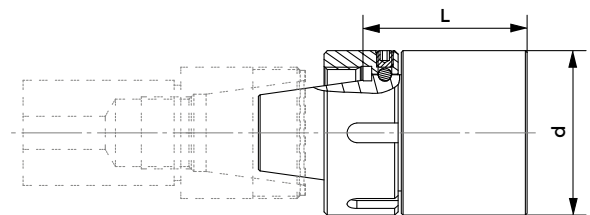
FACE MILL HOLDERS-TENONS DRIVE



LONG

COD.	DESCRIPTION	d	L1	L2
216-76707	ER25H44D22	22	44	19
216-76708	ER32H42D16	16	42	17
216-76709	ER32H44D22	22	44	19

BLANK TOOLHOLDER WITH SOFT SHANK



COD.	DESCRIPTION	d	L
217-46701	ER25H70D40SML	40	70
217-46702	ER32H70D50SML	50	70